

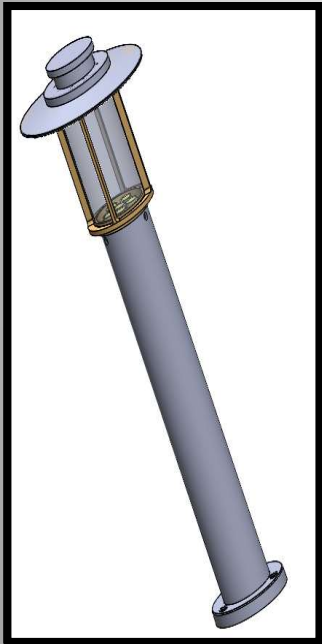
Welcome To My Product Portfolio

Index

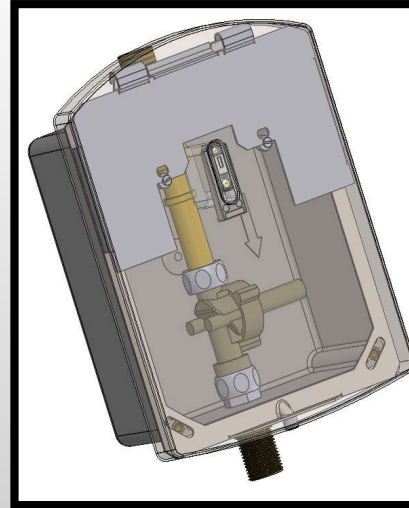
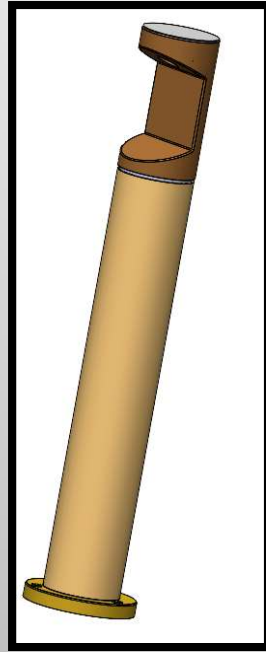
- 1 Product Design (1-3)
- 2 Sheet Metal Tool Design
- 3 HPDC Mold
- 4 Compress Mold Design
- 5 Rubber Mold Design
- 6 Injection Mold Design
- 7 Welding Fixture & Gauge Design
- 8 Key Skills

Dated 10-04-2024

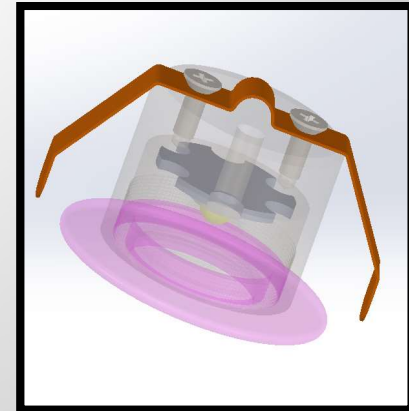
Product Design 1-1



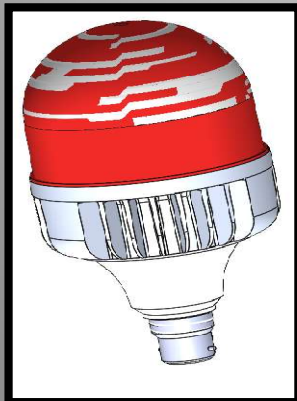
Bollard Lights



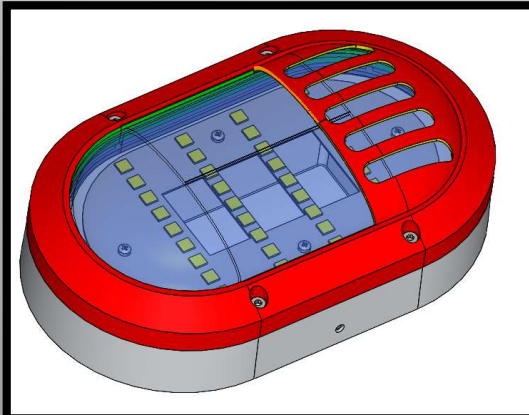
Urinal Sansor Box



Jasper Light 3w



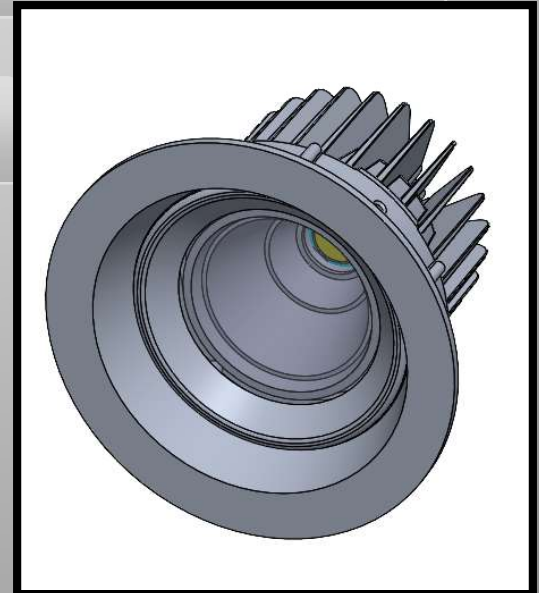
30w Buld



Bulk Head Light

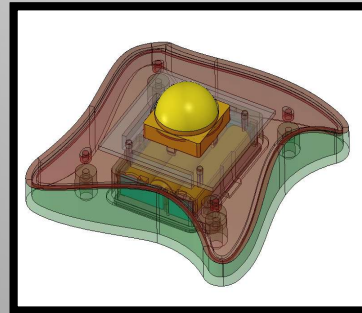
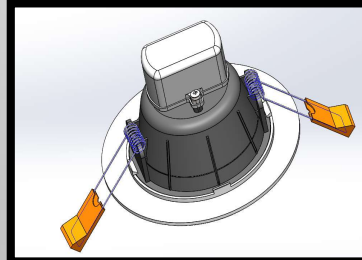
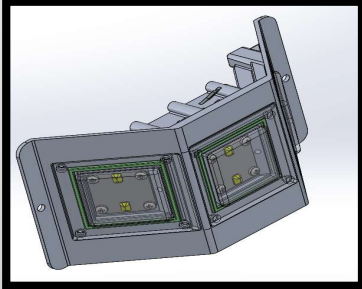
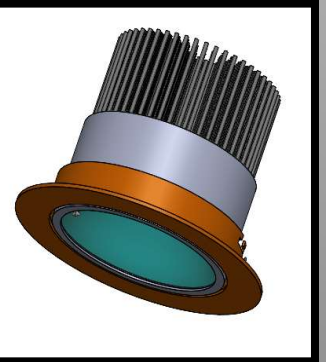
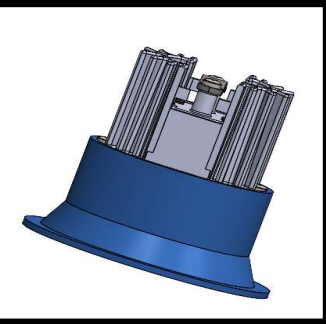
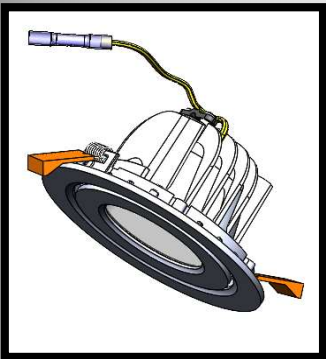


Tilt Table Light



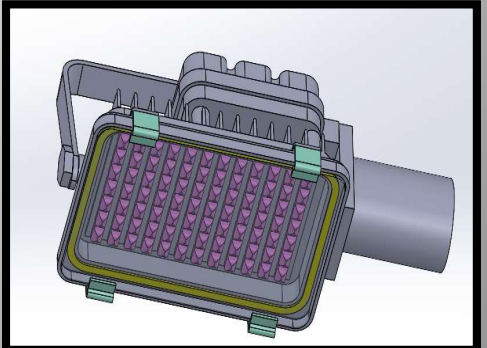
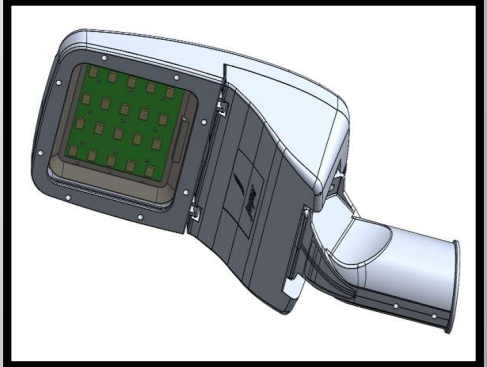
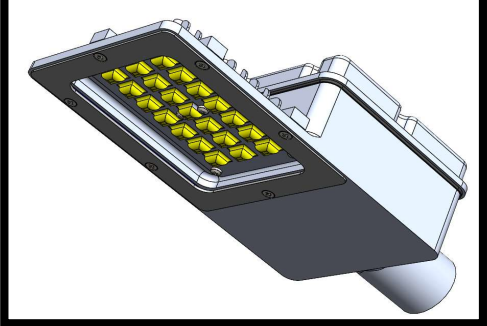
Eris Light 20w

Product Design 1-2



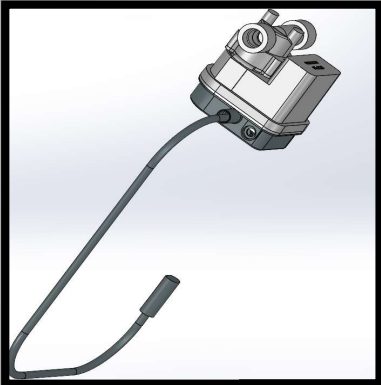
Down Lights

Street Lights

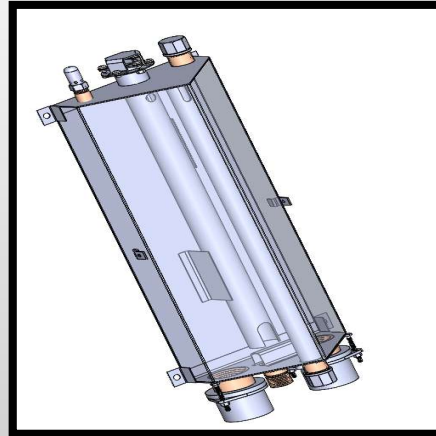
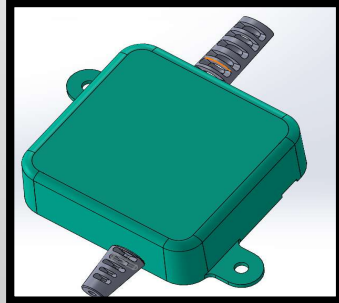


Product Design 1-3

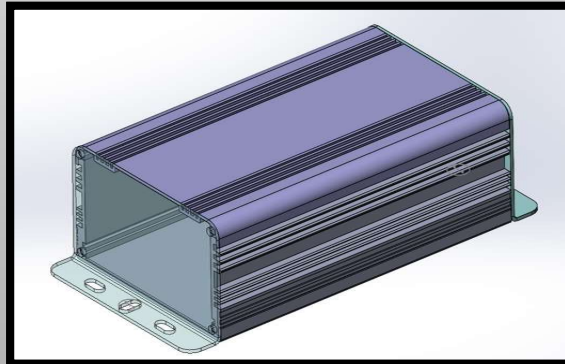
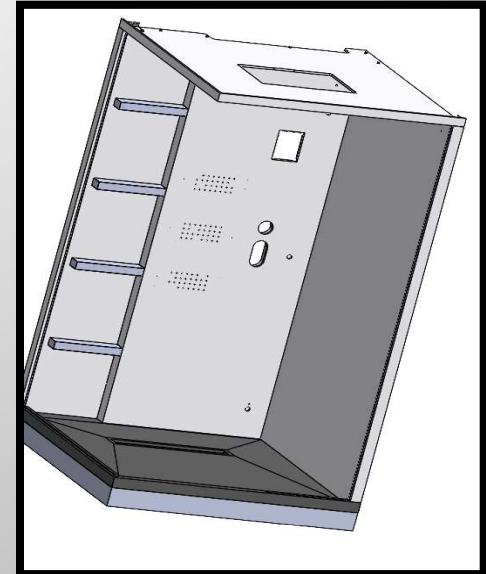
Switches



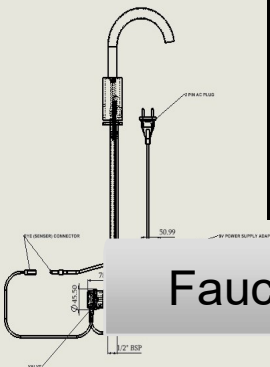
Electric Box



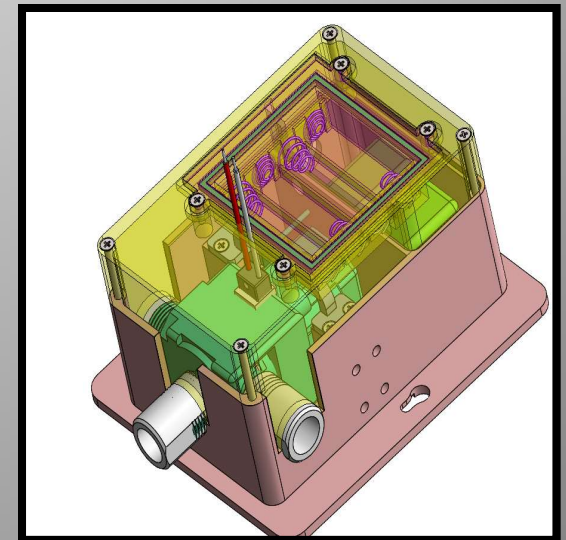
Steam Bath Cabin



Driver Housing



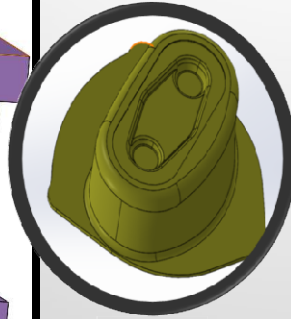
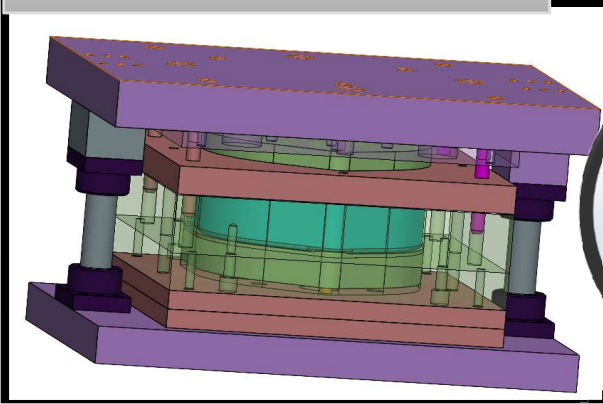
Faucet with Sensor



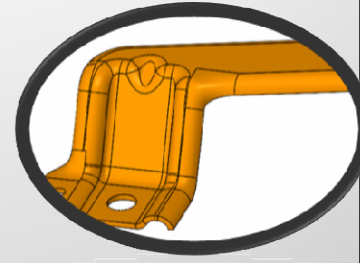
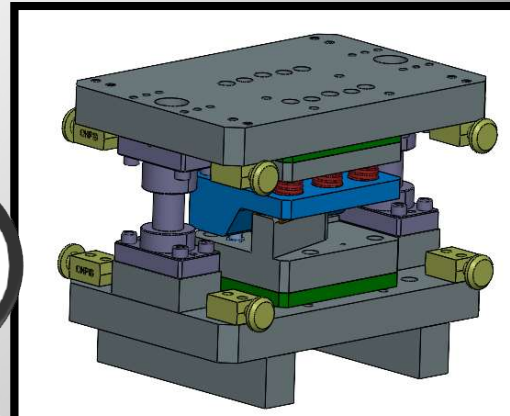
Valve Sensor Housing

2. Sheet Metal Tool

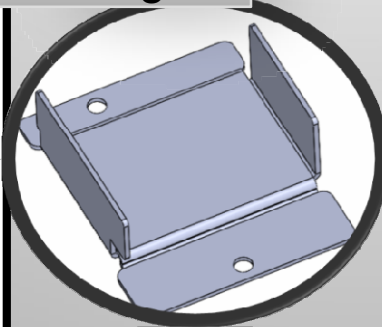
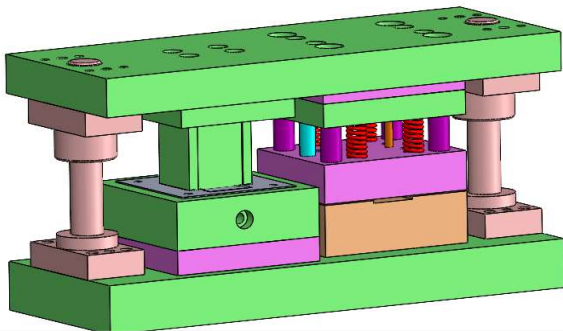
Draw Tool



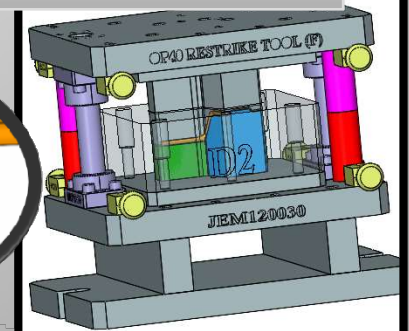
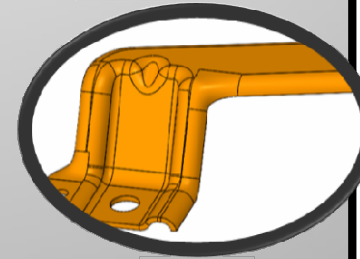
Punching Tool



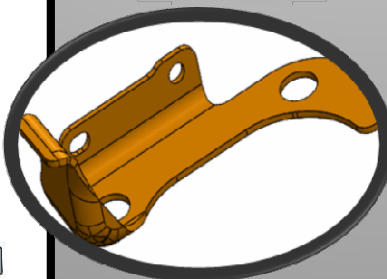
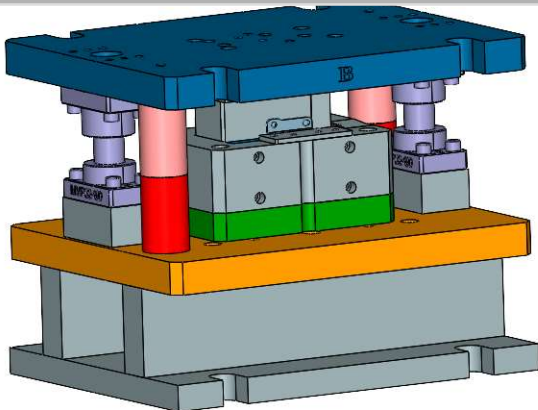
Gang Tool Punching & Bending



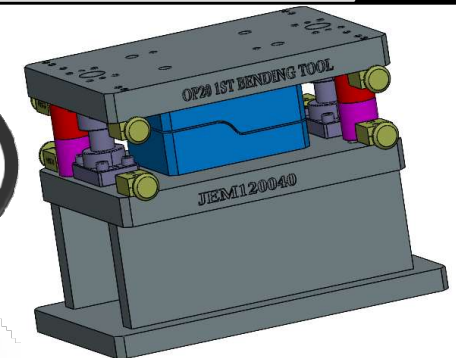
Restriking Tool



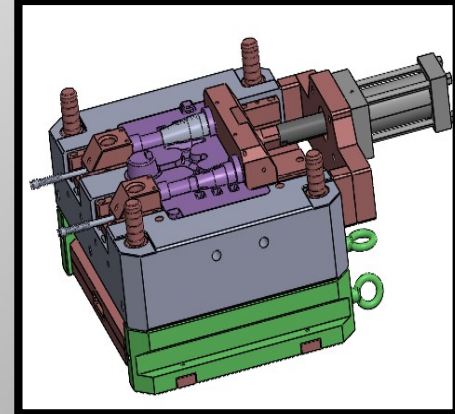
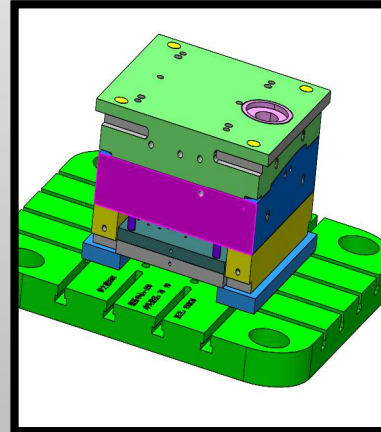
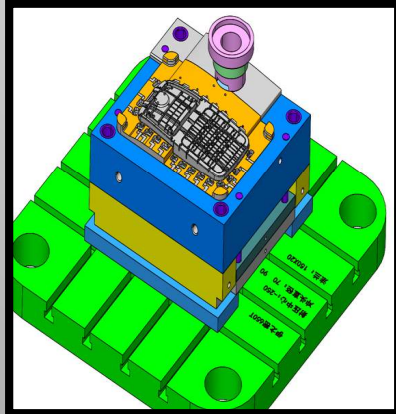
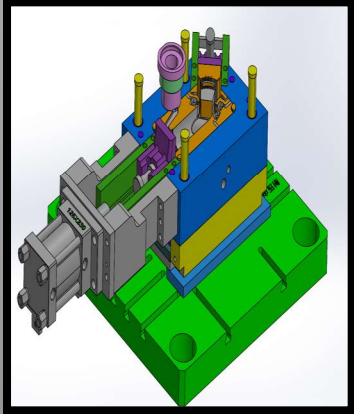
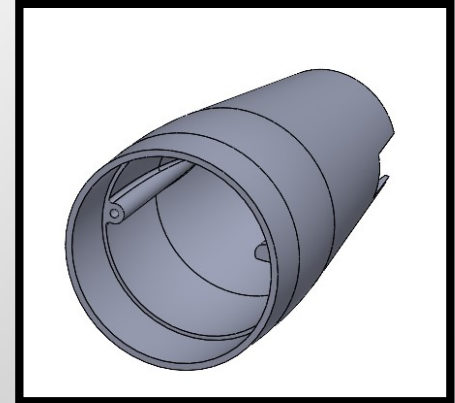
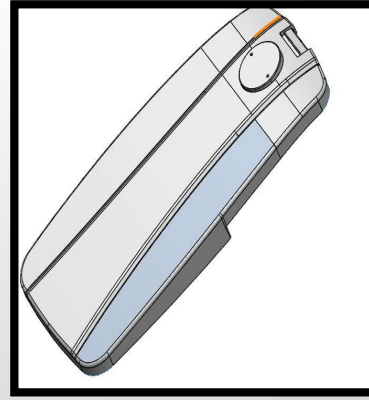
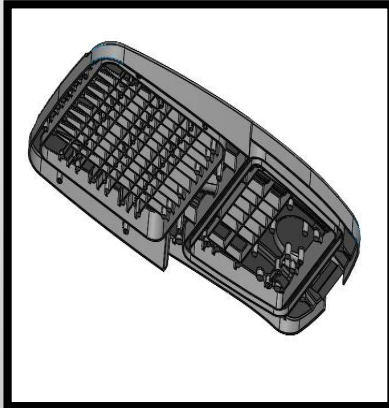
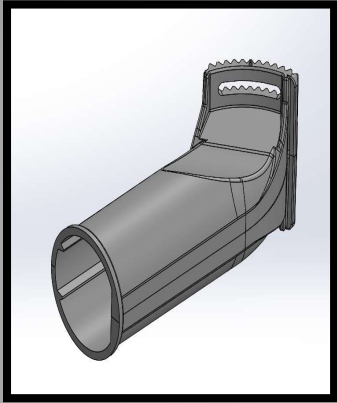
Bending Tool



Bending Tool

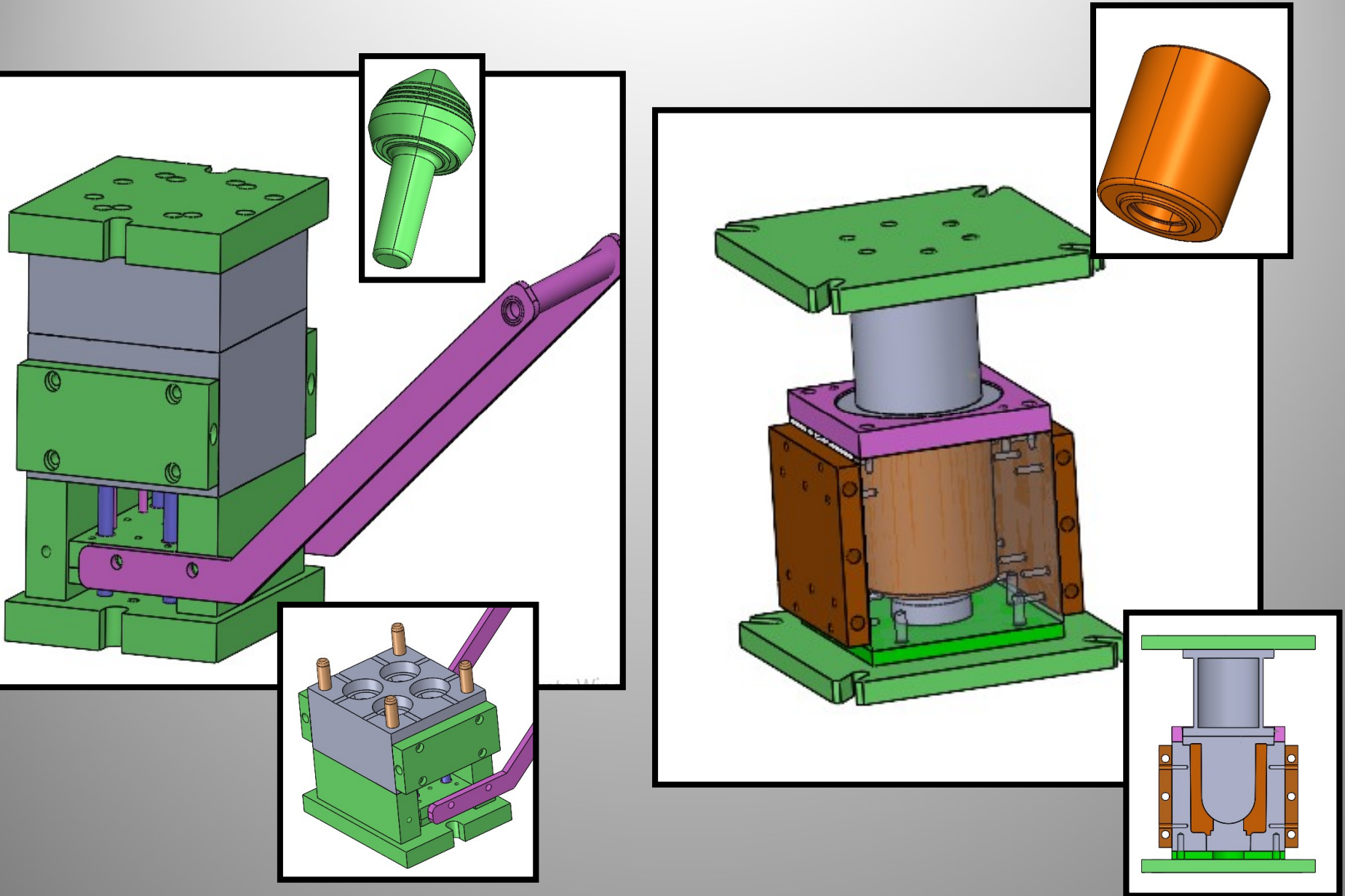


3.HPDC Mold

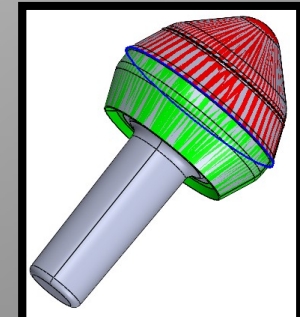
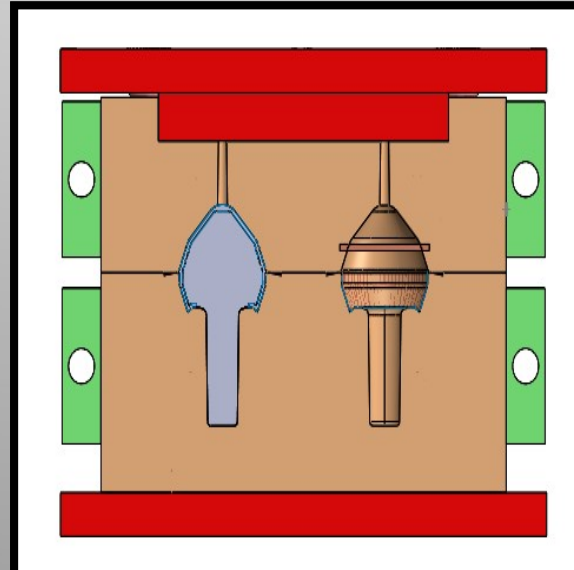
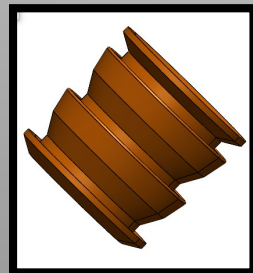
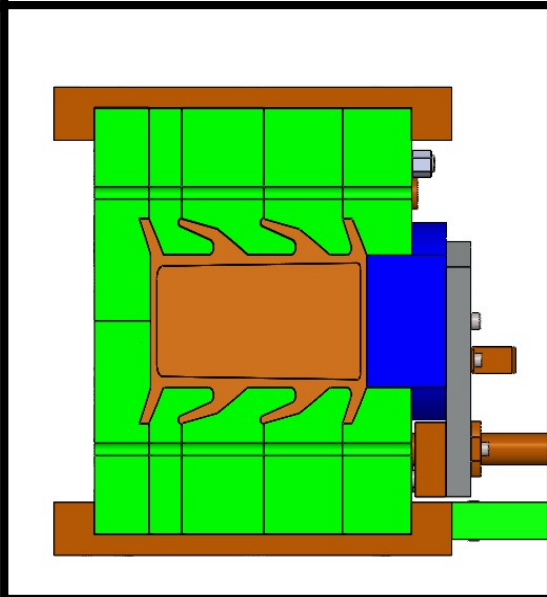
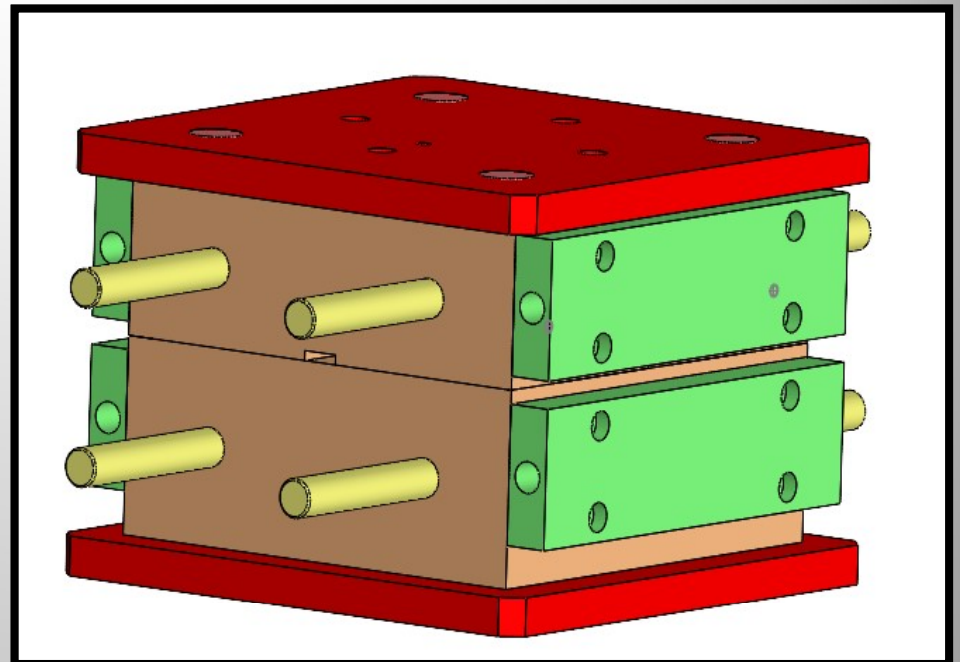
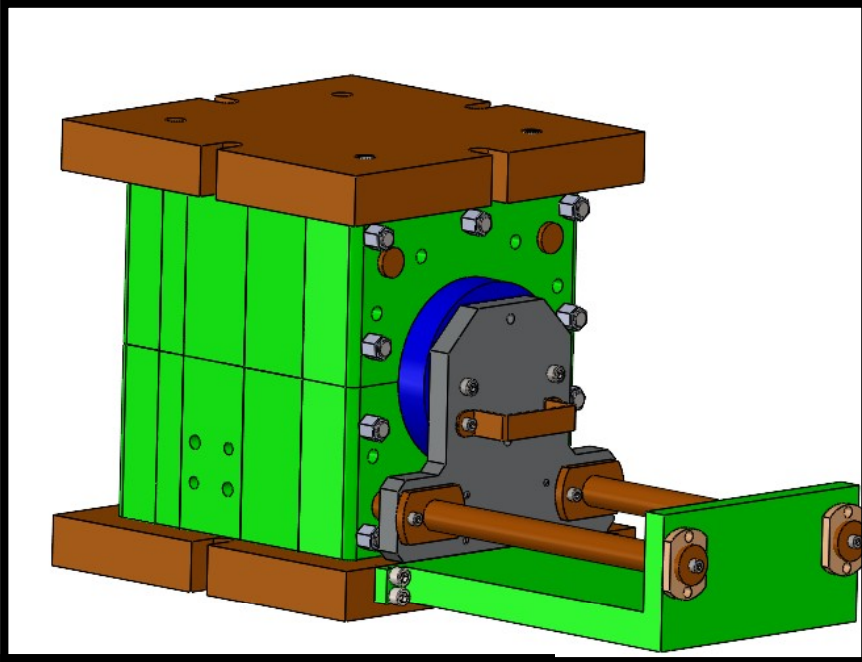


video

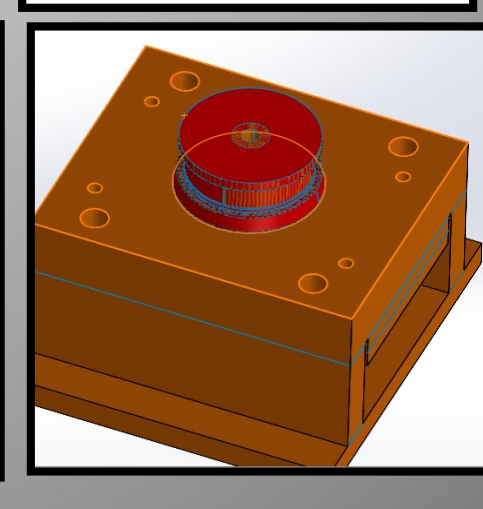
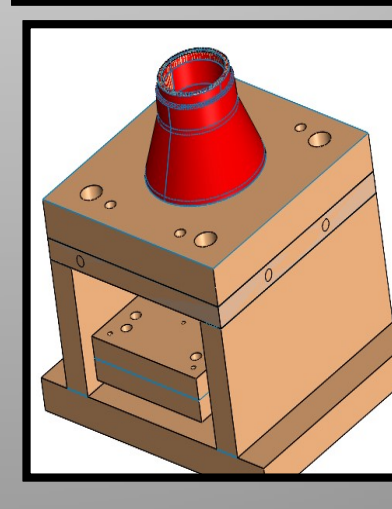
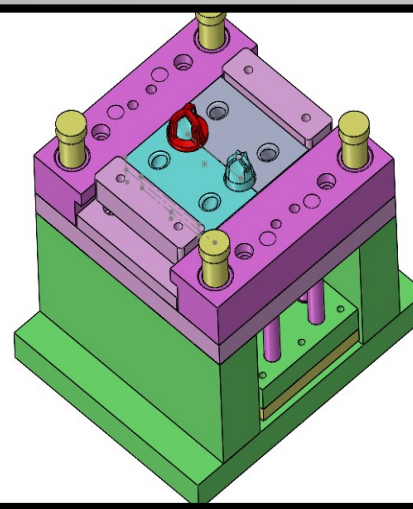
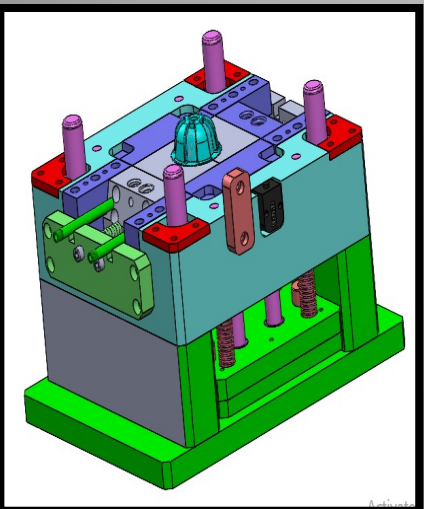
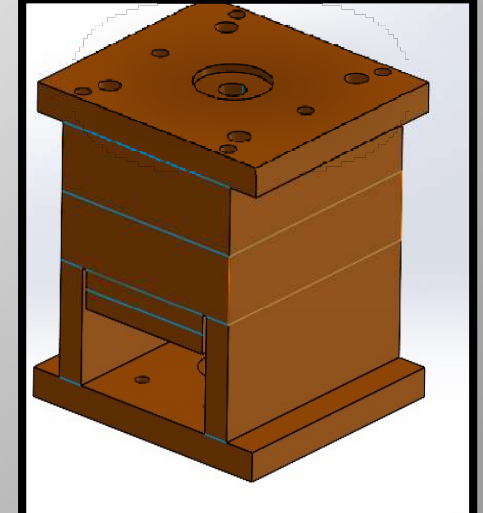
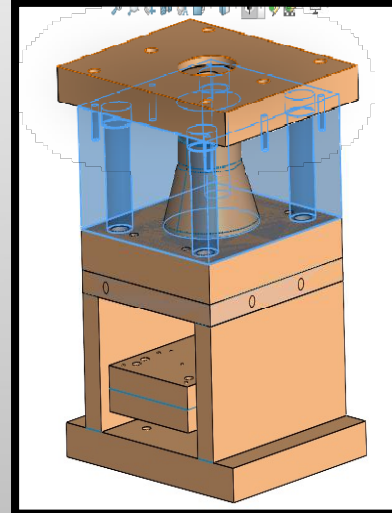
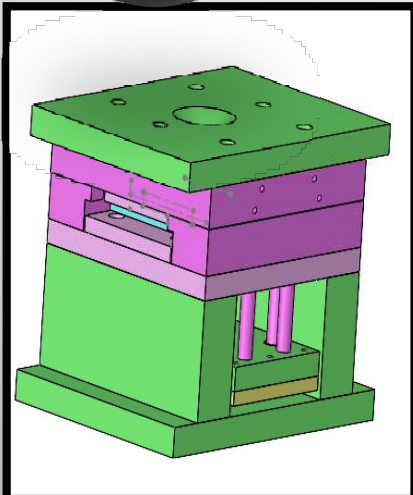
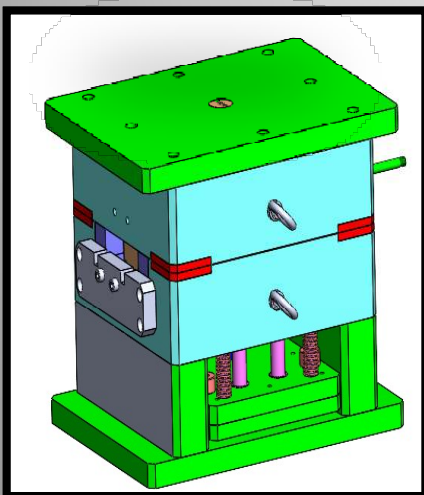
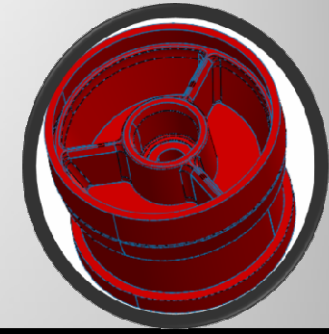
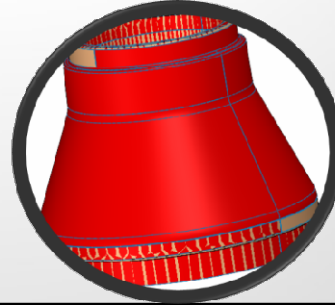
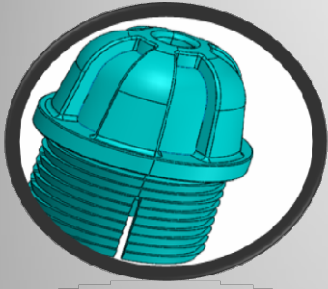
4.Compression Mold



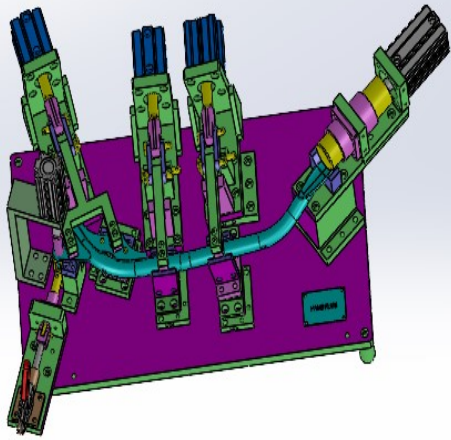
5. Rubber Mold



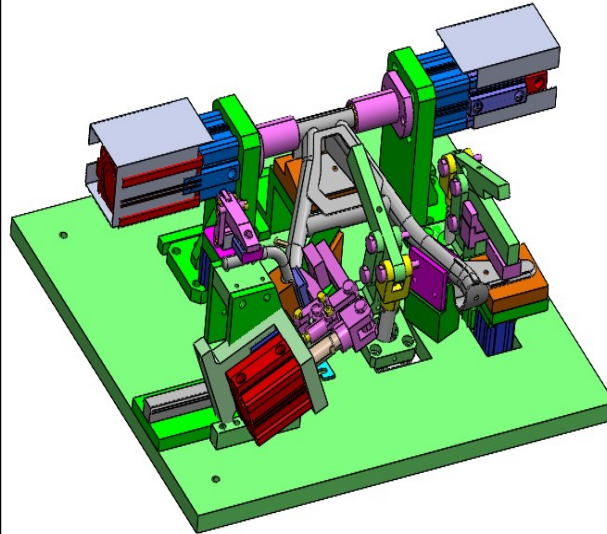
6. Injection Mold



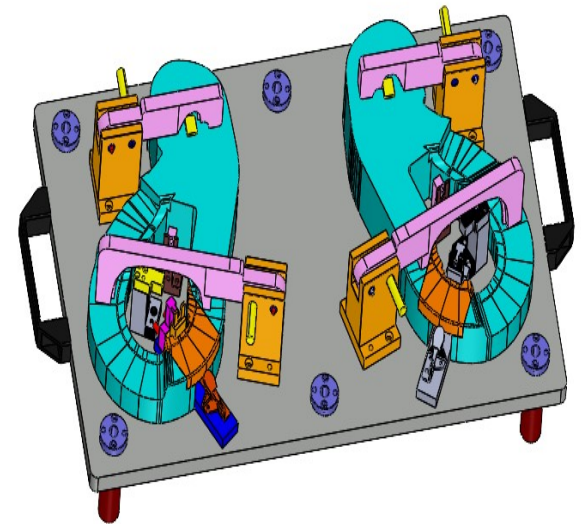
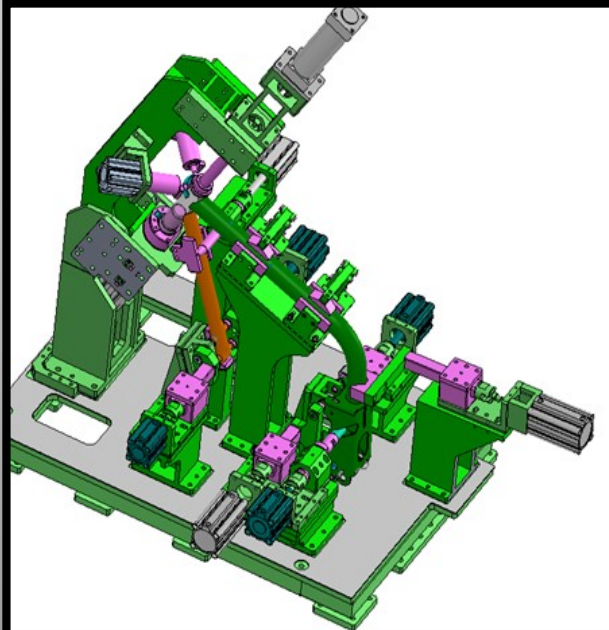
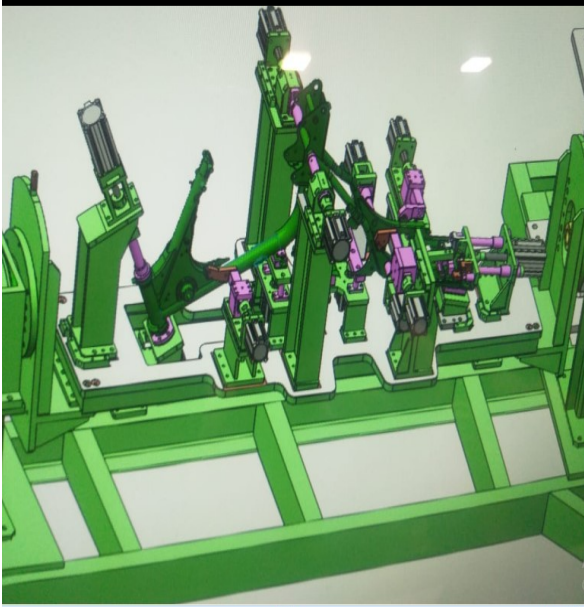
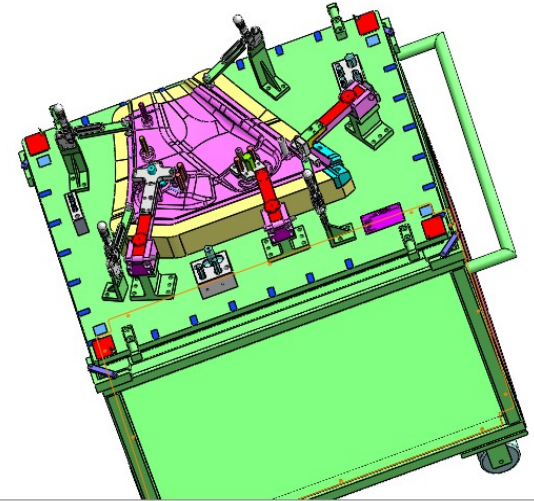
7. Checking Gauges



Welding Fixtures



Panel Checker



8.Key Skills

Product Design & Development

Bom Ceation & Detailed Drawing With Geometric Tolerance

Vendor Development

Product Cost Estimation

Auto Cad

Kaizen

Poke -Yoke

Development Plan

PPAP

FMEA

APQP

Control
Plan

High Pressure Die Casting
Mold

Weldment (~Trolley , Racks & cabin
etc)

Sheet Metal Tools Design &
Development

Solid Works

Solidcam

Jigs , Fixture (Robo)& Gauge Design &
development

Programming (Wirecut , Vmc)

Improve Production efficiency & Cost reduction

Tool Room Manegement

Injection Mold

CMM Inspection Data

Thank You For Watching